



Connector  
World

# MIL-DTL-22992



## HEAVY DUTY POWER CONNECTORS

**Connector World**

15 Chandler St

Parkdale VIC 3195

03 9580 6680

[sales@connectorworld.com.au](mailto:sales@connectorworld.com.au)

[www.connectorworld.com.au](http://www.connectorworld.com.au)

# MIL-DTL-22992, Class L

## How to order

		PART NUMBER						
<b>KD90555</b>	<b>C</b>	<b>32</b>	<b>4</b>	<b>12</b>	<b>S</b>	<b>Y</b>		
<b>MS90555</b>	<b>C</b>	<b>32</b>	<b>4</b>	<b>12</b>	<b>S</b>	<b>Y</b>		
1	2	3	4	5	6	7		

### 1. Number

- KD90555 designates wall mount receptacle (power source)
- KD90556 designates straight plug
- KD90557 designates cable connecting receptacle without coupling ring
- KD90558 designates wall mount plug with coupling ring(equipment end)

### 2. Shell Finish

- C (conductive) for AC or N (nonconductive) for DC circuits.

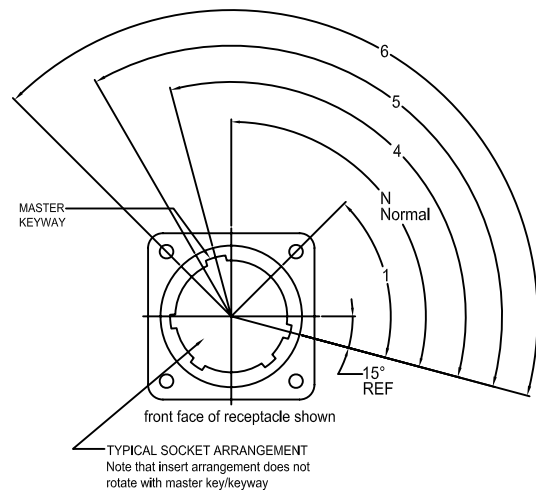
## Grounding Assemblies: Finish C

Shell size	Current Rating Amps	Shell Master Key/Keyway Position						
		60Hz & 400Hz						
		1 Phase			3 Phase			
		2 Wire		3 Wire	3 Wire	4 Wire		
	120 VAC	240 VAC	120/240 VAC	450-480 VAC	120/208 VAC	240/416 VAC	277/480 VAC	
28	40	4(120°)	5(135°)	4(120°)	-	4(120°)	5(135°)	6(150°)
32	60	4(120°)	5(135°)	4(120°)	-	4(120°)	5(135°)	6(150°)
44	100	4(120°)	-	4(120°)	1(60°)	4(120°)	5(135°)	6(150°)
52	200	-	-	4(120°)	-	4(120°)	5(135°)	6(150°)

## Non-grounding Assemblies: Finish N

Shell size	Current Rating Amps	Shell Master Key/Keyway Position
		DC
		2 Wire 28 VDC
28	40	N(150°)
32	60	N(150°)
44	100	N(150°)
52	200	N(150°)

## MASTER KEY/KEYWAY POSITION



### 3. Shell Size

- related directly to current carrying capability.
- Size 28 – 40 amperes
- Size 32 – 60 amperes
- Size 44 – 100 amperes
- Size 52 – 200 amperes

### 4. Master Key/Keyway Position

- N designates normal position. Four other Positions (1, 4, 5 and 6) of the master key/keyway prevent cross mating of incompatible voltages. Refer to the adjacent master key/keyway position illustration for applicability.

### 5. Insert Arrangement

- determined by connector size (current carrying capability) and cable configuration to be accommodated. Refer to the insert arrangement pattern illustrations page 3 through 4 for availability.

### 6. Contact Type

- P for pin, S for socket. KD90555 and KD90557 are supplied with socket contacts only. KD90556 and KD90558 are supplied with pin contacts only.

### 7. Alternate Insert Rotation

- used to prevent cross-mating of incompatible frequencies.
- Absence of a letter in this space indicates normal (0°) position of the insert.
- Refer to page 5 for applicability

# MIL-C-22992, Class L

---

## Ordering information

### ACCESORIES

#### **KD39029/48-( ) pin, KD39029/49-( ) socket Replaceable Contacts**

contacts are ordered by KD part number for the contact style, size and wirewell size required. Refer to page 10 for KD part numbers and dimensional data.

#### **KD3348 Contact Bushing**

used to adapt contact wirewells to smaller wire diameters. Order by part number for the applicable bushing shown on page 11.

#### **KD90561-( ) strain Relief Grip**

this woven stainless steel strain relief is supplied as part of KD90556 and KD90557 connectors. Selection of applicable part number is determined by connector insert arrangement number, which in turn is dependent upon connector shell size and cable being used. Refer to page 12 for strain relief KD part numbers and application data with dimensions.

#### **KD23747-( ) Cable Sealing Gland**

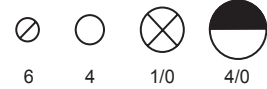
this sealing gland must be used with the KD90561 strain Relief Grip to provide a weatherproof connection. Order the gland by KD part number on page 12.

#### **KD90563-( ) receptacle, KD90564-( ) plug Covers**

receptacle cover are supplied as part of KD90555 and KD90557 connectors. plug covers are supplied as part of KD90556 and KD90558 connectors. Selection of applicable part number is determined by connector shell size and style.

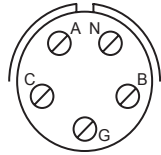
# MIL-DTL-22992, Class L

## Insert Arrangements



CONTACT LEGEND 6 4 1/0 4/0

Shell Size 28, 40 amp rating



28-12, 28-13  
Three phase AC 4 wire, grounding

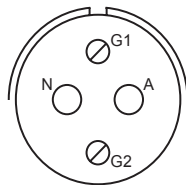
Cable:

28-12	IPCEA 4-NO 8 conductor round, type G
28-13	CO-04 HDF (4/6-4/12R) 1090 per MIL-DTL-3432

Contacts:

QTY	Position	Size	Pin KD39029/48	Socket KD39029/49
3	A, B, C	6	-317	-329
2	N, G	6N	-318	-329

Shell Size 32, 60 amp rating



32-04, 32-05  
Single phase AC 2 wire, grounding

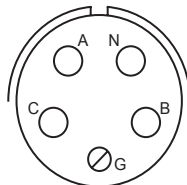
Cable:

32-04	IPCEA 2-NO 6 conductor round, type G
32-05	CO-02 HDF (2/6-2/8R) 1100 per MIL-DTL-3432

Contacts:

QTY	Position	Size	Pin KD39029/48	Socket KD39029/49
1	A	4	-320	-331
1	N	4N	-321	-331
2	G1, G2	6N	-318	-329

Shell Size 32, 60 amp rating



32-12, 32-13  
Three phase AC 4 wire, grounding

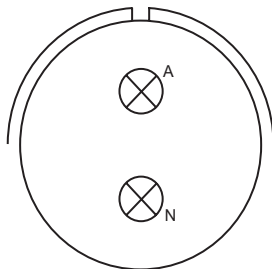
Cable:

32-12	IPCEA 43-NO 6 conductor round, type G
32-13	CO-04 HDF (4/4-4/12R) 1290 per MIL-DTL-3432

Contacts:

QTY	Position	Size	Pin KD39029/48	Socket KD39029/49
3	A, B, C	4	-320	-331
1	N	4N	-321	-331
1	G	6N	-318	-329

Shell Size 44, 100 amp rating



44-02, 44-03  
28 Volts DC 2 wire

Cable:

44-02	IPCEA 2-NO 2 conductor round, type W
44-03	CO-02 HDF (2/1) 1385 per MIL-DTL-3432

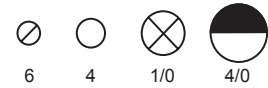
Contacts:

QTY	Position	Size	Pin KD39029/48	Socket KD39029/49
1	A	1/0	-323	-333
1	N	1/0N	-324	-333

IPCEA – Insulated Power Cable Engineers Association

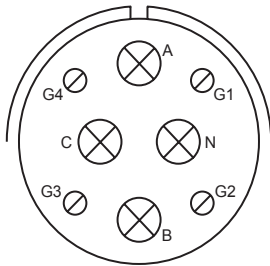
# MIL-C-22992, Class L

## Insert Arrangements



CONTACT LEGEND

Shell Size 44, 100 amp rating



44-12, 44-13  
Three phase AC 4 wire, grounding

Cable:

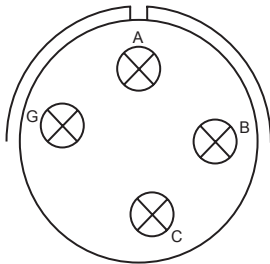
44-12	IPCEA 4-NO 2 conductor round, type G
44-13	CO-04 HDF (4/1-4/8R) 1620 per MIL-DTL-3432

Contacts:

QTY	Position	Size	Pin KD39029/48	Socket KD39029/49
3	A, B, C	1/0	-323	-333
1	N	1/0N	-324	-333
4	G1, G2, G3, G4	6G	-319	-330

Shell Size 44, 100 amp rating

For Navy Ground Support Equipment use only.



44-50, 44-51, 44-52, 44-56  
Three phase AC 3 wire, grounding

44-50	Available in KD90555 & KD90558 only 4 each NO.1 conductors
-------	---

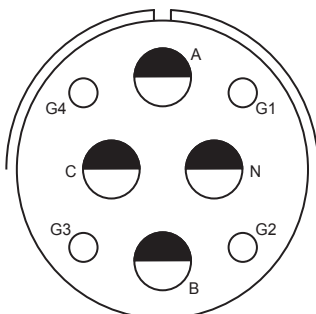
Cable:

44-51	Available in KD90556 & KD90557 only IPCEA 4-NO.1 conductor round, type W
44-52	Available in KD90556 only IPCEA 4-NO.2 conductor round, type W
44-56	Available in KD90556 only IPCEA 4-NO.6 conductor round, type W

Contacts:

QTY	Position	Size	Pin KD39029/48	Socket KD39029/49
3	A, B, C	1/0	-323	-333
1	G	1/0N	-324	-333

Shell Size 52, 200 amp rating



52-12, 52-13  
Three phase AC 4 wire, grounding

Cable:

52-12	IPCEA 4-NO 4/0 conductor round, type G
52-13	CO-04 HDE (4/0000-4/4R) 2380 per MIL-DTL-3432

Contacts:

QTY	Position	Size	Pin KD39029/48	Socket KD39029/49
3	A, B, C	4/0	-327	-335
1	N	4/0N	-328	-335
4	G1, G2, G3, G4	4G	-322	-332

IPCEA – Insulated Power Cable Engineers Association

# MIL-DTL-22992, Class L

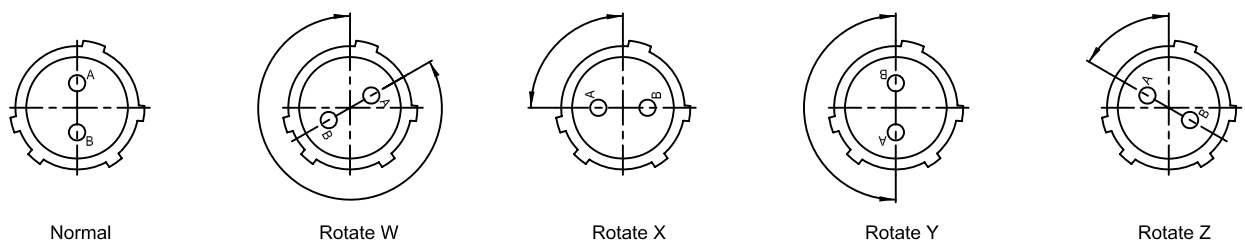
## Alternate Insert rotations

To avoid cross-plugging problems in applications requiring the use of more than one connector of the same size and arrangement, alternate insert rotations are available as indicated in the accompanying chart.

As shown in the diagram below, the front face of the pin insert is rotated within the shell in a clockwise direction from the normal shell key.

The socket insert would be rotated counterclockwise the same number of degrees in respect to the normal shell key.

KD90555C32412SY .... means alternate Y rotation

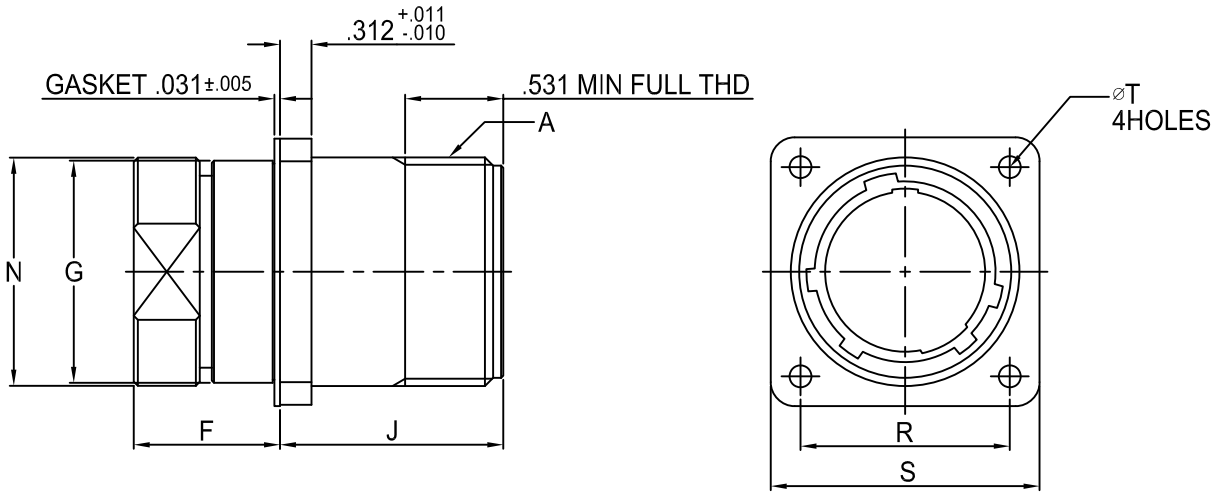


Views looking into front of pin insert or rear of socket insert.

Arrangement Number	Insert rotation (degrees from normal position)				
	Normal DC or 60 Hz	Alternate 400Hz			
		W	X	Y	Z
28-12, -13	0°			180°	
32-04, -05	0°		90°		
32-12, -13	0°			180°	
44-02, -03	0°				
44-12, -13	0°				60°
44-50, -51, -52, -56	0°				
52-12, -13	0°	300°			

# MIL-C-22992, Class L

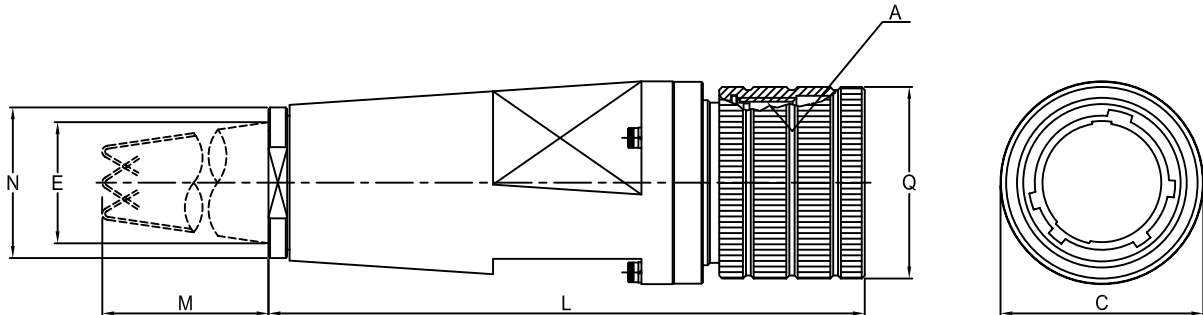
## KD90555 Wall mount receptacle (Power source)



	A	F	G	J	N Dia	R	S	Inch (mm)
Shell Size	Thread Class 2A .1428P-.2857L Double Stub	±.031 (±0.79)	+0.006 -0.010 (+0.15) (-0.25)	+0.016 -0.000 (+0.41) (-0.00)	+0.011 -0.020 (+0.27) (-0.50)	(BSC)	+0.021 -0.020 (+0.53) (-0.50)	±.005 (±0.12)
28	2.000	1.376 (34.95)	1.938 (49.23)	2.188 (55.58)	2.000 (50.80)	1.844 (46.84)	2.375 (60.33)	.177 (4.50)
32	2.250	1.376 (34.95)	2.188 (55.58)	2.188 (55.58)	2.250 (57.15)	2.062 (52.37)	2.625 (66.68)	.209 (5.31)
44	3.000	1.438 (36.53)	3.062 (77.77)	2.532 (64.31)	3.125 (79.38)	2.812 (71.42)	3.375 (85.73)	.281 (7.14)
48	3.250	1.438 (36.53)	3.312 (84.12)	2.532 (64.31)	3.375 (85.73)	3.000 (76.20)	3.625 (92.08)	.281 (7.14)
52	3.500	1.438 (36.53)	3.562 (90.47)	2.532 (64.31)	3.625 (92.08)	3.156 (80.16)	3.875 (98.43)	.281 (7.14)

# MIL-DTL-22992, Class L

## KD90556 straight plug

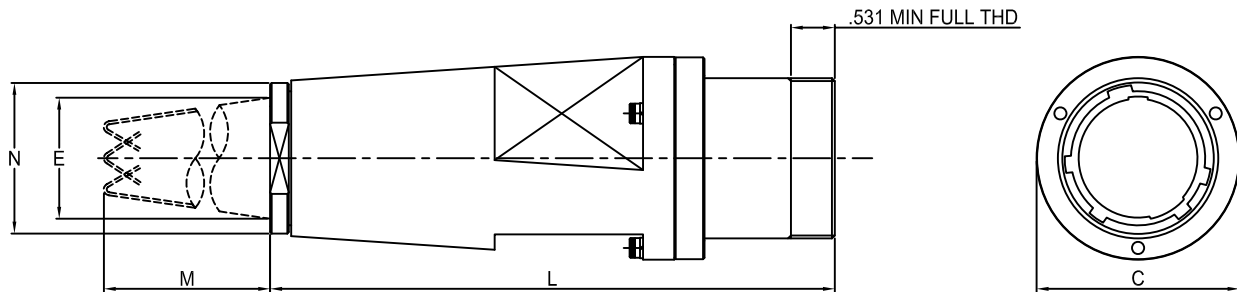


Shell Size and Arrangement	A Thread Class 2B .1428-.2857L Double Stub	C Dia MAX	E Cable Rang	L MAX Free Length	M Approx Free Length	Inch (mm)	
						N Dia +.011 -.020 (+0.27) (-0.50)	Q Dia MAX
28-12	2.000	2.439 (61.95)	1.047-.922 (26.59-23.42)	8.188 (207.98)	7.188 (182.58)	2.000 (50.80)	2.312 (58.72)
28-13	2.000	2.439 (61.95)	1.130-1.005 (28.70-25.53)	8.188 (207.98)	7.188 (182.58)	2.000 (50.80)	2.312 (58.72)
32-04	2.250	2.689 (68.30)	.969-.844 (24.61-21.44)	8.188 (207.98)	7.188 (182.58)	2.000 (50.80)	2.562 (65.07)
32-05, -12	2.250	2.689 (68.30)	1.130-1.005 (28.70-25.53)	8.188 (207.98)	7.188 (182.58)	2.000 (50.80)	2.562 (65.07)
32-13	2.250	2.689 (68.30)	1.342-1.217 (34.09-30.91)	8.188 (207.97)	8.688 (220.68)	2.000 (50.80)	2.562 (65.07)
44-02	3.000	3.667 (93.14)	1.312-1.187 (33.32-30.15)	10.172 (258.37)	10.688 (271.48)	2.500 (63.50)	3.531 (89.69)
44-03	3.000	3.667 (93.14)	1.438-1.313 (36.53-33.35)	10.172 (258.37)	9.688 (246.08)	2.500 (63.50)	3.531 (89.69)
44-12	3.000	3.667 (93.14)	1.516-1.391 (38.51-35.33)	10.172 (258.37)	10.688 (271.48)	2.500 (63.50)	3.531 (89.69)
44-13	3.000	3.667 (93.14)	1.672-1.547 (42.47-39.29)	10.172 (258.37)	12.688 (322.28)	2.500 (63.50)	3.531 (89.69)
44-51	3.000	3.667 (93.14)	1.734-1.609 (44.04-40.87)	10.172 (258.37)	11.688 (296.88)	2.500 (63.50)	3.531 (89.69)
44-52	3.000	3.667 (93.14)	1.525-1.435 (38.74-36.45)	10.172 (258.37)	11.188 (284.18)	2.500 (63.50)	3.531 (89.69)
44-56	3.000	3.667 (93.14)	1.135-1.065 (28.83-27.05)	10.172 (258.37)	7.188 (182.58)	2.500 (63.50)	3.531 (89.69)
52-12	3.500	4.167 (105.84)	2.328-2.183 (59.13-55.45)	11.109 (282.17)	17.188 (436.58)	3.250 (82.55)	4.016 (102.01)
52-13	3.500	4.167 (105.84)	2.453-2.308 (62.31-58.62)	11.109 (282.17)	18.188 (461.98)	3.250 (82.55)	4.016 (102.01)



# MIL-C-22992, Class L

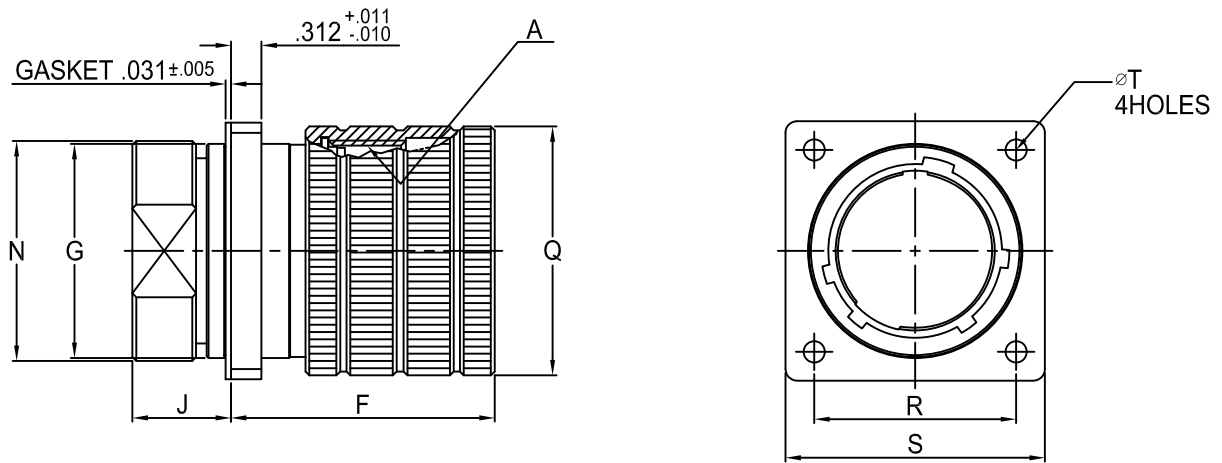
## KD 90557 Cable connecting receptacle Without coupling ring



Shell Size and Arrangement	A	C Dia	E	L	M	Inch (mm)
	Thread Class 2A .1428-.2857L Double Stub	MAX	Cable Rang	MAX Free Length	Approx Free Length	N Dia +.011 -.020 (+0.27) (-0.50)
28-12	2.000	2.439 (61.95)	1.047-.922 (26.59-23.42)	8.156 (207.16)	7.188 (182.58)	2.000 (50.80)
28-13	2.000	2.439 (61.95)	1.130-1.005 (28.70-25.53)	8.156 (207.16)	7.188 (182.58)	2.000 (50.80)
32-04	2.250	2.689 (68.30)	.969-.844 (24.61-21.44)	8.156 (207.16)	7.188 (182.58)	2.000 (50.80)
32-05, -12	2.250	2.689 (68.30)	1.130-1.005 (28.70-25.53)	8.156 (207.16)	7.188 (182.58)	2.000 (50.80)
32-13	2.250	2.689 (68.30)	1.342-1.217 (34.09-30.91)	8.156 (207.16)	8.688 (220.68)	2.000 (50.80)
44-02	3.000	3.667 (93.14)	1.312-1.187 (33.32-30.15)	10.125 (257.18)	10.688 (271.48)	2.500 (63.50)
44-03	3.000	3.667 (93.14)	1.438-1.313 (36.53-33.35)	10.125 (257.18)	9.688 (246.08)	2.500 (63.50)
44-12	3.000	3.667 (93.14)	1.516-1.391 (38.51-35.33)	10.125 (257.18)	10.688 (271.48)	2.500 (63.50)
44-13	3.000	3.667 (93.14)	1.672-1.547 (42.47-39.29)	10.125 (257.18)	12.688 (322.28)	2.500 (63.50)
44-51	3.000	3.667 (93.14)	1.734-1.609 (44.04-40.87)	10.125 (257.18)	11.688 (296.88)	2.500 (63.50)
52-12	3.500	4.167 (105.84)	2.328-2.183 (59.13-55.45)	11.062 (280.97)	17.188 (436.58)	3.250 (82.55)
52-13	3.500	4.167 (105.84)	2.453-2.308 (62.31-58.62)	11.062 (280.97)	18.188 (461.98)	3.250 (82.55)

# MIL-DTL-22992, Class L

## MS90558 Wall mount plug

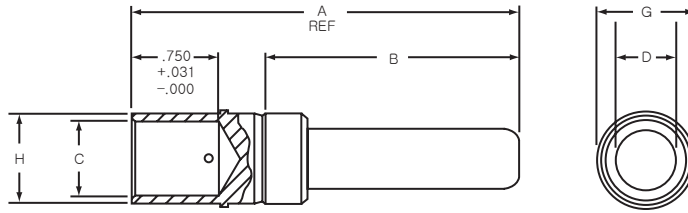


	A	F	G Dia	J	N Dia	Q Dia	R	S	T Dia	Inch (mm)
Shell Size	Thread Class 2B .1428P-.2857L Double Stub	+0.006 -0.000 (+0.15) (-0.00)	+0.006 -0.010 (+0.15) (-0.25)	±0.031 (±0.79)	+0.011 -0.020 (+0.28) (-0.51)	MAX	(BSC)	+0.021 -0.020 (+0.53) (-0.50)	±0.005 (±0.12)	
28	2.000	2.639 (67.03)	1.938 (49.23)	.959 (24.36)	2.000 (50.80)	2.312 (58.72)	1.844 (46.84)	2.375 (60.33)	.177 (4.50)	
32	2.250	2.639 (67.03)	2.188 (55.58)	.959 (24.36)	2.250 (57.15)	2.562 (65.07)	2.062 (52.37)	2.625 (66.68)	.209 (5.31)	
44	3.000	2.998 (76.15)	3.062 (77.77)	1.021 (25.93)	3.125 (79.38)	3.531 (89.69)	2.812 (71.42)	3.375 (85.73)	.281 (7.14)	
48	3.250	2.998 (76.15)	3.312 (84.12)	1.021 (25.93)	3.375 (85.73)	3.781 (96.04)	3.000 (76.20)	3.625 (92.08)	.281 (7.14)	
52	3.500	2.998 (76.15)	3.562 (90.47)	1.021 (25.93)	3.625 (92.08)	4.016 (102.01)	3.156 (80.16)	3.875 (98.43)	.281 (7.14)	

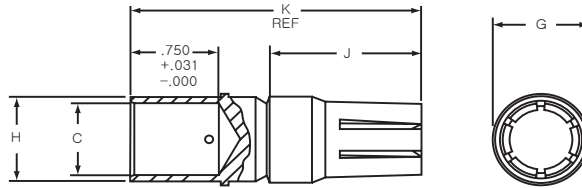
# MIL-C-22992, Class L

## Accessories – Contacts

M39029/48  
pin contact



M39029/49  
socket contact



Inch  
(mm)

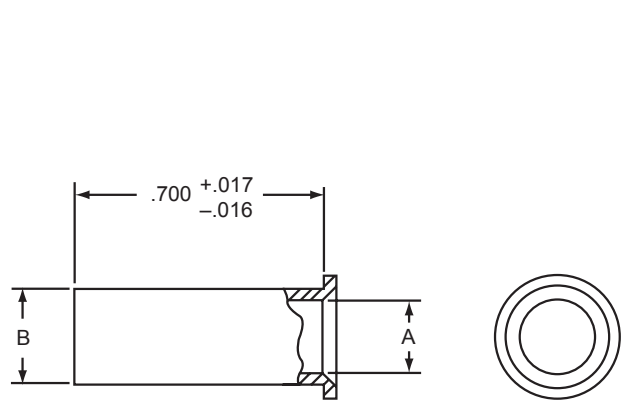
Socket Part Number	Pin Part Number	Contact Size	Wire Well Size	A	B	C Dia		D Dia	G Dia		H	J	K	
				Ref	±.005 (±0.12)	.641	+0.04 -.003 (+0.10) (-0.17)	.500 (12.70)	.781	±.003	.750	+0.04 -.003 (+0.10) (-0.17)	1.283 (32.58)	2.393 (60.78)
KD39029	KD39029			Ref	±.005 (±0.12)	.641	+0.04 -.003 (+0.10) (-0.17)	.500 (12.70)	.781	±.003	.750	+0.04 -.003 (+0.10) (-0.17)	1.283 (32.58)	2.393 (60.78)
49-335	48-327	4/0	4/0	3.207 (81.46)	2.097 (53.26)	.641	+0.04 -.003 (+0.10) (-0.17)	.500 (12.70)	.781	±.003	.750	+0.04 -.003 (+0.10) (-0.17)	1.283 (32.58)	2.393 (60.78)
-	48-328	4/0N	4/0	3.325 (84.46)	2.215 (56.26)	.641	+0.04 -.003 (+0.10) (-0.17)	.500 (12.70)	.781	±.003	.750	+0.04 -.003 (+0.10) (-0.17)	-	-
49-334	48-325	2/0	2/0	3.207 (81.46)	2.097 (53.26)	.500	+0.04 -.003 (+0.10) (-0.17)	.406 (10.31)	.688	±.003	.609	+0.04 -.003 (+0.10) (-0.17)	1.283 (32.58)	2.393 (60.78)
-	48-326	2/0N	2/0	3.325 (84.46)	2.215 (56.26)	.500	+0.04 -.003 (+0.10) (-0.17)	.406 (10.31)	.688	±.003	.609	+0.04 -.003 (+0.10) (-0.17)	-	-
49-333	48-323	1/0	1	3.207 (81.46)	2.097 (53.26)	.406	+0.04 -.003 (+0.10) (-0.17)	.357 (9.07)	.609	±.003	.506	+0.04 -.003 (+0.10) (-0.17)	1.283 (32.58)	2.393 (60.78)
-	48-324	1/0N	1	3.325 (84.46)	2.215 (56.26)	.406	+0.04 -.003 (+0.10) (-0.17)	.357 (9.07)	.609	±.003	.506	+0.04 -.003 (+0.10) (-0.17)	-	-
49-331	48-320	4	4	2.786 (70.76)	1.738 (44.15)	.281	±.002 (±0.05)	.225 (5.72)	.417	±.002	.374	±.002 (±0.05)	1.158 (29.41)	2.206 (56.03)
-	48-321	4N	4	2.904 (73.76)	1.856 (47.14)	.281	±.002 (±0.05)	.225 (5.72)	.417	±.002	.374	±.002 (±0.05)	-	-
49-329	48-317	6	6	2.786 (70.76)	1.738 (44.15)	.234	±.002 (±0.05)	.178 (4.52)	.342	±.002	.312	±.002 (±0.05)	1.158 (29.41)	2.206 (56.03)
-	48-318	6N	6	2.904 (73.76)	1.856 (47.14)	.234	±.002 (±0.05)	.178 (4.52)	.342	±.002	.312	±.002 (±0.05)	-	-
49-332	48-322	4G	4	2.856 (72.54)	1.746 (44.35)	.281	±.002 (±0.05)	.225 (5.72)	.417	±.002	.374	±.002 (±0.05)	1.752 (44.50)	2.862 (72.69)
49-330	48-319	6G	6	2.856 (72.54)	1.746 (44.35)	.234	±.002 (±0.05)	.178 (4.52)	.342	±.002	.312	±.002 (±0.05)	1.752 (44.50)	2.862 (72.69)

# MIL-DTL-22992, Class L

## Accessories

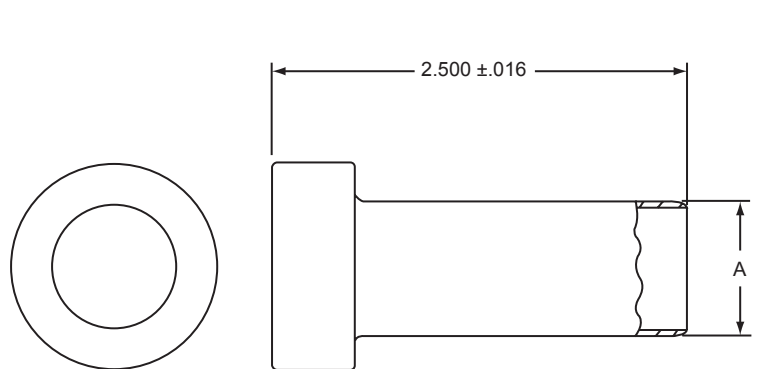
### KD3348 contact bushing

Part Number	Contact Wire Barrel Size (Ref)	Wire Size (Ref)	inch (mm)	
			A Dia +.002 -.003 (+0.05) (-0.07)	B Dia +.002 -.003 (+0.05) (-0.07)
KD3348-1 - 2L	1	2	.359 (9.12)	.396 (10.06)
KD3348-4 - 5L	4	5	.250 (6.35)	.272 (6.91)
KD3348-4 - 6L	4	6	.225 (5.72)	.272 (6.91)
KD3348-6 - 8L	6	8	.185 (4.70)	.225 (5.72)
KD3348-6 - 9L	6	9	.155 (3.94)	.225 (5.72)
KD3348-1 - 6L	1	6	.225 (5.72)	.396 (10.06)
KD3348-4 - 8L	4	8	.185 (4.70)	.272 (6.91)
KD3348-6 - 10L	6	10	.136 (3.45)	.225 (5.72)
KD3348-4/0-2/0	4/0	2/0	.500 (12.70)	.629 (15.98)



### KD90562 contact removal tool

Part Number	Contact Size	inch (mm)
		A Dia +.000 -.002 (+0.00) (-0.05)
KD90562-1	4/0	.790 (20.07)
KD90562-2	2/0	.696 (17.67)
KD90562-3	1/0	.558 (14.17)
KD90562-4	2	.462 (11.73)
KD90562-5	4	.376 (9.55)
KD90562-6	6	.354 (8.99)



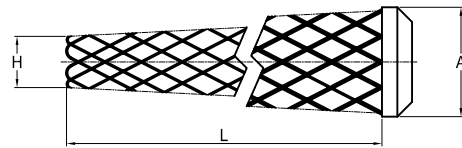
# MIL-C-22992, Class L

## Accessories

### KD90561 cable strain relief

Inch  
(mm)

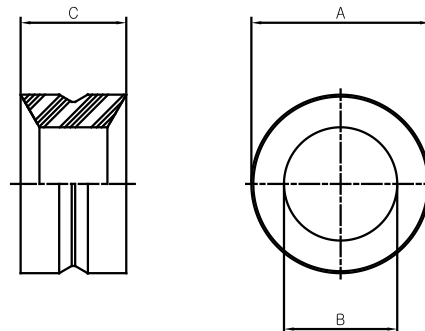
Part Number	Arrangement Number	A Dia +.000 -.010 (+0.00) (-0.25)	H Dia Cable Range		L Approx
			MAX	MIN	
KD90561-1	32-04	1.797 (45.64)	.969 (24.61)	.832 (21.13)	8.000 (203.20)
KD90561-2	28-13 32-05, 32-12	1.797 (45.64)	1.145 (29.08)	1.003 (25.48)	8.000 (203.20)
KD90561-5	44-02	2.235 (56.77)	1.312 (33.32)	1.156 (29.36)	11.500 (292.10)
KD90561-12	28-12	1.797 (45.64)	1.047 (26.59)	.891 (22.63)	8.000 (203.20)
KD90561-13	32-13	1.797 (45.64)	1.342 (34.09)	1.185 (30.10)	9.500 (241.30)
KD90561-14	44-03	2.235 (56.77)	1.438 (36.53)	1.282 (32.56)	10.500 (266.70)
KD90561-15	44-12	2.235 (56.77)	1.516 (38.51)	1.360 (34.54)	11.500 (292.10)
KD90561-16	44-13	2.235 (56.77)	1.688 (42.88)	1.531 (38.89)	13.500 (342.90)
KD90561-17	52-12	2.922 (74.22)	2.328 (59.13)	2.039 (51.79)	18.000 (457.20)
KD90561-18	52-13	2.922 (74.22)	2.500 (63.50)	2.211 (56.16)	19.000 (482.60)
KD90561-19	44-51	2.235 (56.77)	1.750 (44.45)	1.550 (39.37)	12.500 (317.50)
KD90561-20	44-52	2.235 (56.77)	1.578 (40.08)	1.375 (34.93)	12.000 (304.80)
KD90561-21	44-56	2.235 (56.77)	1.160 (29.46)	1.010 (25.65)	8.000 (203.20)



### KD23747 cable sealing gland

Inch  
(mm)

Part Number	Arrangement Number	A Dia +.000 -.020 (+0.00) (-0.51)	B Dia +.020 -.000 (+0.50) (-0.00)	C ±.010 (±0.25)	Min Cable DIA Ref
KD23747-2	28-13 32-05, 32-12	1.805 (45.85)	1.130 (28.70)	1.034 (26.26)	1.005 (25.53)
KD23747-5	44-02	2.242 (56.95)	1.312 (33.32)	1.160 (29.46)	1.187 (30.15)
KD23747-12	28-12	1.805 (45.85)	1.047 (26.59)	1.034 (26.26)	.922 (23.42)
KD23747-13	32-13	1.805 (45.85)	1.342 (34.09)	1.034 (26.26)	1.217 (30.91)
KD23747-14	44-03	2.242 (56.95)	1.438 (36.53)	1.160 (29.46)	1.313 (33.35)
KD23747-15	44-12	2.242 (56.95)	1.516 (38.51)	1.160 (29.46)	1.391 (35.33)
KD23747-16	44-13	2.242 (56.95)	1.672 (42.47)	1.160 (29.46)	1.547 (39.29)
KD23747-18	52-12	2.927 (74.35)	2.328 (59.13)	1.284 (32.61)	2.183 (55.45)
KD23747-19	52-13	2.927 (74.35)	2.453 (62.31)	1.284 (32.61)	2.308 (58.62)
KD23747-20	44-51	2.242 (56.95)	1.734 (44.04)	1.160 (29.46)	1.609 (40.87)
KD23747-21	44-52	2.242 (56.95)	1.562 (39.67)	1.160 (29.46)	1.437 (36.50)
KD23747-22	44-56	2.242 (56.95)	1.150 (29.21)	1.160 (29.46)	1.025 (26.04)

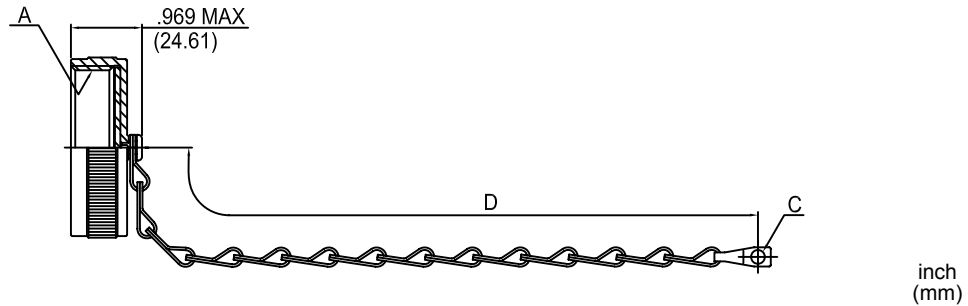


# MIL-DTL-22992, Class L

## Accessories

### KD90563 protective cover

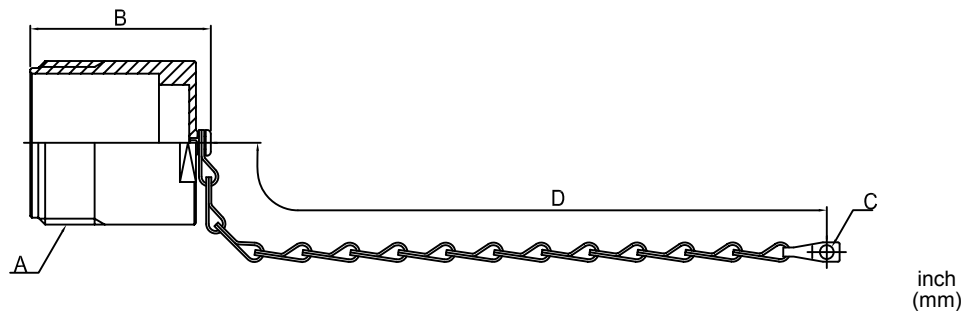
used with : KD90555 wall mount receptacle  
KD90557 cable connecting receptacle



PART Number	Shell Size	A	B	C Dia. Hole		E
		Thread Class DS-2B .1428P-.2857L	MAX	Used ON MS90555	Used ON MS90557	
MS90563-1	28	2.000	2.219 (56.36)	.164 (4.17)	.164 (4.17)	6.000 (152.40)
MS90563-3	32	2.250	2.469 (62.71)	.190 (4.83)	-	4.500 (114.30)
MS90563-4	32	2.250	2.469 (62.71)	-	.164 (4.17)	6.000 (152.40)
MS90563-7	44	3.000	3.219 (81.76)	.250 (6.35)	.250 (6.35)	7.500 (190.50)
MS90563-11	52	3.500	3.750 (95.25)	.250 (6.35)	.250 (6.35)	7.500 (190.50)

### KD90564 protective covers

used with : KD90556 Straight plug  
KD90558 wall mount plug



PART Number	Shell Size	A	B	C Dia. Hole		D
		Thread Class DS-2A .1428P-.2857L	MAX	Used ON MS90558	Used ON MS90556	
MS90564-1	28	2.000	2.266 (57.56)	.164 (4.17)	.164 (4.17)	7.500 (190.50)
MS90564-3	32	2.250	2.266 (57.56)	.190 (4.83)	-	6.000 (152.40)
MS90564-4	32	2.250	2.266 (57.56)	-	.164 (4.17)	7.500 (190.50)
MS90564-7	44	3.000	2.484 (63.09)	.250 (6.35)	.250 (6.35)	8.500 (215.90)
MS90564-11	52	3.500	2.484 (63.09)	.250 (6.35)	.250 (6.35)	8.500 (215.90)